

UPSI-2406DP1

24 VDC / 3 A

- ✓ 24V DC UPS (DIN rail version)
- ✓ Cycle Life ≥ 500
- ✓ Intelligent power sharing
- ✓ Regulated output voltage
- ✓ Min. load disconnect
- ✓ Battery disconnect
- ✓ Power fail timer
- ✓ Reboot function
- ✓ Fuel gauge



Technical data	
Input voltage	24 VDC (22.5...32 V)
Input current	5 A max.
Output voltage	Normal mode: $V_{in} - 0.3$ V (Full load) Backup: 23.5 VDC
Output current	3 A continuous, 4 A max. (10 s)
Battery charge current nom.	Depending on load max. 3 A on battery
Charging method	CC/CV/CP
Protection	Deep discharge protection Overload protection Overcurrent protection Reverse polarity protection
Interface	USB, RS232, USB-HID
Type of battery	Li-Ion 2.5 Ah / 14.4 V nominal
Life cycles	≥ 500 , Charge 0.2 C / Discharge 0.2 C, 60% of rated capacity @ +25 °C
Safety / EMC	CE, Class B (EN55032)
Temperature	Operating discharge: -20...+60 °C Operating charge: 0...+55 °C Storage: -20...+65 °C, recommended 0...+40 °C
Max. operation altitude	5000 m
Derating (depending on operation altitude)	2000 m operation altitude or higher: 5.7 W / 500 m or reduction of operation temperature of 3.5 °C / 500 m
Humidity	Operating: 10...85 % RH, non-condensing / Storage: 10...90 % RH, non-condensing
Dimensions (WxDxH)	63 x 100 x 120 mm ± 0.5 mm
Weight (net)	0.6 kg

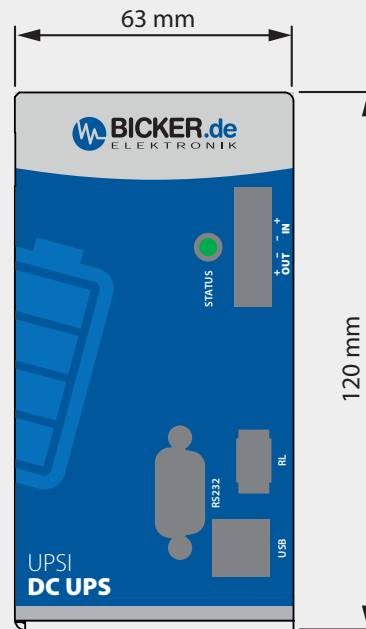
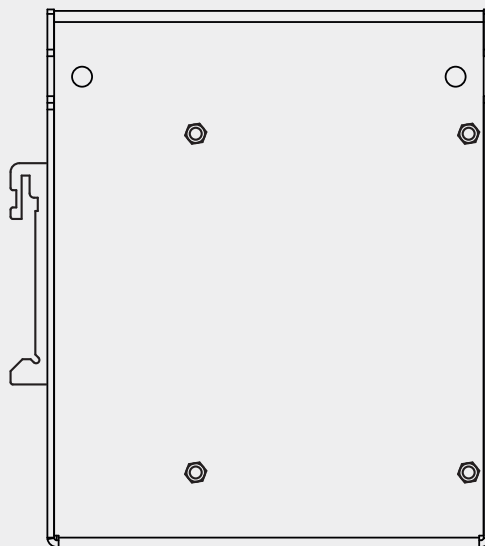
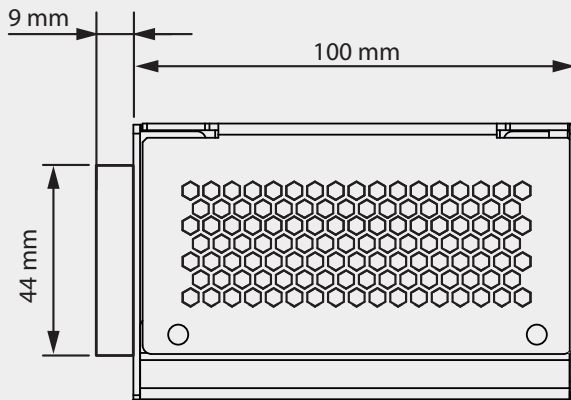
Product specific data	
Shutdown detection	Via load sensor
Reboot function	Reboot function and time can be configured by software
Load sensor	Configurable via UPSI HID-Battery-Parameter software (download at www.bicker.de) UPS shuts down after 15 sec, if connected load decreases below set value and UPS is being in battery mode
Timer function	Configurable via UPSI HID-Battery-Parameter software in steps of single seconds (3600 sec max)
Relay	Dry contact on power fail (Normal mode: open / Backup mode: closed) Relay switching current max 0.5 A @ 125 VAC / 1 A @ 24 VDC

The service life of the batteries is app. 4...5 years at +20 °C and will decrease by half with each temperature increase of 10 °C according to EUROBAT.

Backup time depends on battery capacitance, load and temperature.
At very high or low temperatures a reduction of backup time occurs.

Drawing UPSI-2406DP1

Tolerance ± 0.5 mm



● Status LED	Description
1 x flash, pause 1.5s	Status: Battery start
2 x flash, pause 1.5s	Status: Capacity for start is required, state charging
3 x flash, pause 1.5s	Status shutdown: Waiting for shutdown completion
4 x flash, pause 1.5s	Status reboot: Output is switched off and time runs until restart (Reboot)
5 x flash, pause 1.5s	Status: No battery recognized
1 Hz flash > power fail	Status: Backup mode
Always on	Status: System OK
Quick flashing	Critical Error Status: Output voltage too low > UPS will be shut down Status: Overcurrent detected > UPS output disabled

Backup time

Load	Power	Duration
3.00 A (100 %)	72 W	24 min
2.25 A (75 %)	54 W	34 min
1.50 A (50 %)	36 W	49 min
0.75 A (25 %)	18 W	102 min

Safety information



Please consider to each country's own regulation about recycling and disposal of used batteries etc. in hazardous waste or resending to any recycling organization. The battery pack should not be exposed to fire, immersed under water, soldered, opened, short-circuited, reversed or overheated. During storage the battery pack should not be exposed to temperatures outside the specification and should not be pushed too heavy and not exposed to high pressure. Do not swallow any parts of the battery pack.

Scope of delivery

Quantity	Description
1x	UPSI-2406DP1 - DC UPS
1x	V_{in} / V_{out} connector counterpart
1x	Relay connector counterpart